



EUROPEAN QUALITY



# Monocrystalline Photovoltaic Module Half Cut 390 - 410 W

TEN HC 108



**Italian engineering & design**  
Extended warranties



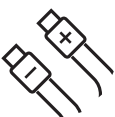
**Ultra-robust module**  
35 mm frame thickness



**Customized production**  
All Black | Translucent | Standard



**Positive tolerance** in our  
modules with **0/+5 wp**



**Staübli connectors**  
upon request



[www.solarday.it](http://www.solarday.it)

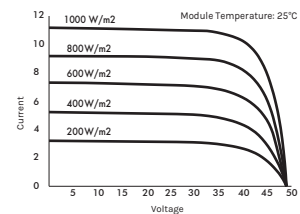
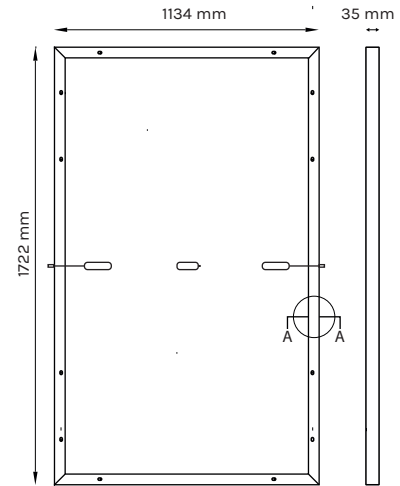
# Monocrystalline Photovoltaic Module

## Half Cut 390 - 410 W TEN HC 108



### TECHNICAL FEATURES

<b>Cells:</b>	108 (6x18) Monocrystalline Silicon <b>Available in:</b> Half cut
<b>Frontal Glass:</b>	Glass with low iron content - thickness 3,2 mm Capa ARC < 20000 cd/m2 Frontal load (snow) 5400 Pa - Back load (wind) 2400 Pa
<b>Encapsulant:</b>	EVA (Etilen Vinil Acetato)
<b>Backsheet:</b>	Polymer sheet
<b>Frame:</b>	Black/Silver anodized aluminum 15 micron Grounding holes (For more information please contact our sales team)
<b>Junction Box:</b>	IP68 - 1500 V with 3 by pass diodes Cables length 300 mm - Section: 4,0 mm <sup>2</sup> ± 1% tolerance Fire Class 1 approval (UNI 9177)
<b>Connectors:</b>	MC4 or compatible connector



### WEIGHT, DIMENSIONS AND PACKAGING

22,7 Kg | 1722 mm x 1134 mm x 35 mm | 35 pcs Pallet | 910 pcs track

### ELECTRICAL CHARACTERISTICS \*

	TEN HC 108 390W	TEN HC 108 400W	TEN HC 108 410W
<b>Pmax (W)</b>	390	400	410
<b>Tolerance</b>	0/+3 W	0/+3 W	0/+3 W
<b>Vmpp (V)</b>	30.79	31.28	31.76
<b>Impp (A)</b>	12.67	12.79	12.91
<b>Voc (V)</b>	36.69	37.18	37.66
<b>Isc (A)</b>	13.42	13.54	13.66
<b>V</b>	1500	1500	1500
<b>Eff (%)</b>	19.97	20.48	20.9
<b>A</b>	20	20	20

\*NOTE: Read the instruction manual of this product and follow the indications STC. Values are valid for: 1000W/m<sup>2</sup>, AM 1.5 and cells temperature of 25°C. Measurement tolerance +/-3% (AAA Solar simulation -IEC 60.904-9-). All the information of this brochure may be amended without notice by Solarday. Consult the installation manual for more information.

### TEMPERATURE CHARACTERISTICS

<b>Temperature Coeff. of Voc:</b>	-0,275 % / °C
<b>Temperature Coeff. of Isc:</b>	+0,05 % / °C
<b>Temperature Coeff. of Pmax:</b>	-0,350 % / °C

### OPERATIVE CHARACTERISTICS

<b>Operating Temperature:</b>	from -40 °C a + 85 °C
<b>Hailstorm Resistance:</b>	Ø 25 mm, 86 Kg/h
<b>NMOT*:</b>	43 ± 2 °C

\*Nominal Module Operating Temperature: Irradiance 800W/m<sup>2</sup>; Air 20°C; Wind speed 1m/s

### WARRANTIES

**20 YEARS**  
Product Warranty

**25 YEARS**  
Linear Warranty

PREMIUM  
**+5**

### SOLARDAY CERTIFICATES

IEC 61215:2016 | EN 61730-1:2016 | EN 61730-2:2016  
UNI 9177 Class 1 Fire Class | FIRE TEST MST23 CLASSE C  
IEC 62716:2013 | IEC 61701:2011  
ECOEM

UNI EN ISO 9001:2015  
UNI EN ISO 14001:2015  
UNI EN ISO 45001:2018  
CE

#### Office (ES)

Carrer de les Garrigues 17 p.1  
46001 Valencia, España  
contact@solarday.it +34962071775

#### Office (IT)

Via privata Antonio Meucci 67  
20128 Milano, Italy  
contact@solarday.it +39022594171

#### Factory

Località Merlaro 1, 25070  
Nozza di Vestone (BS), Italy  
contact@solarday.it