



MADE IN ITALY



Monocrystalline Photovoltaic Module

# Mono Classic 310 - 350 W

SDM60 | BPM60 | MPS60



**Italian production plant**  
assembling with european components



**Ultra-robust module**  
40 mm frame thickness



**Customized production**  
All Black | Translucent | Standard

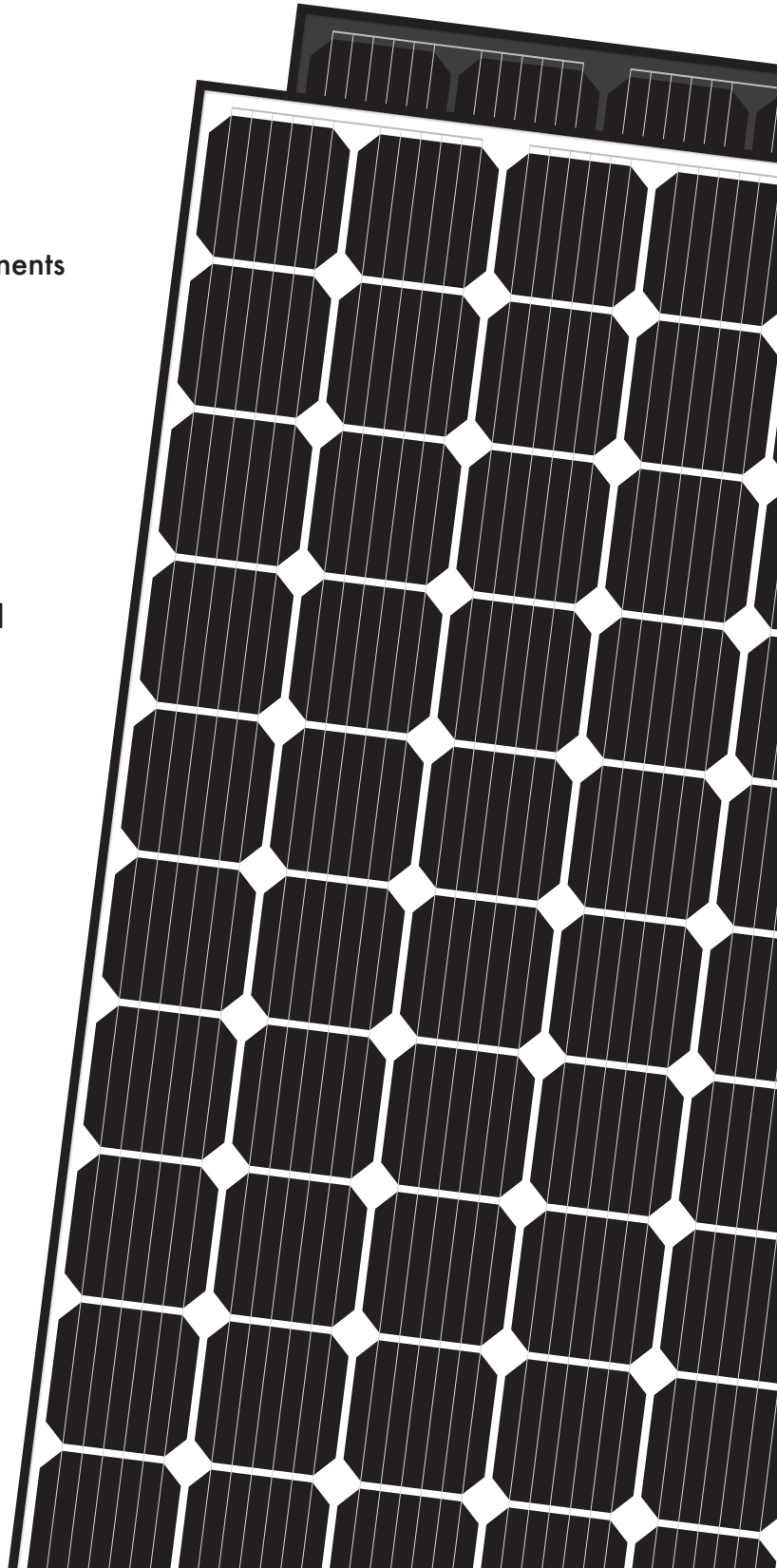


**Multibusbars** cell connection



**Staübli connectors**  
upon request

[www.solarday.it](http://www.solarday.it)



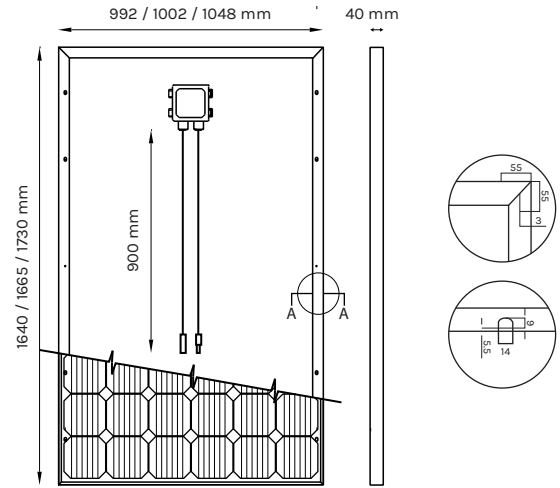
# Monocrystalline Photovoltaic Module

## Mono Classic 310 - 350 W SDM60|BPM60|MPS60



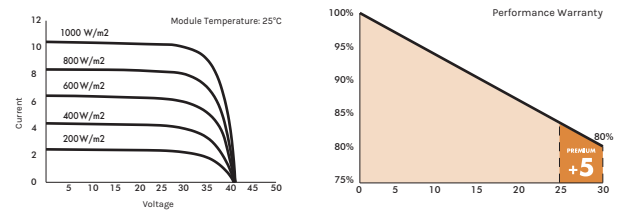
### TECHNICAL FEATURES

<b>Cells:</b>	60 (6x10) Monocrystalline Silicon PERC
<b>Available in:</b>	<div style="display: flex; gap: 5px;"> <div style="border: 1px solid black; padding: 2px 5px;">M3</div> <div style="border: 1px solid black; padding: 2px 5px;">M2</div> <div style="border: 1px solid black; padding: 2px 5px;">M6</div> </div>
<b>Frontal Glass:</b>	Glass with low iron content ARC - thickness 3,2 mm Frontal load (snow) 5400 Pa Back load (wind) 2400 Pa
<b>Encapsulant:</b>	EVA (Etilen Vinil Acetato)
<b>Backsheet:</b>	Polymer sheet white/black
<b>Frame:</b>	Black/Silver anodized aluminum 15 micron Grounding holes (For more information please contact our sales team)
<b>Junction Box:</b>	IP67/IP68 - 1500 V with 3 by pass diodes Cables length 900 mm Section: 4,0 mm <sup>2</sup> ± 1% tolerance
<b>Connectors:</b>	MC4 or compatible connector



### WEIGHT, DIMENSIONS AND PACKAGING

<b>SDM60:</b>	18 Kg   1640 mm x 992 mm x 40 mm   27 pcs pallet   864 pcs truck
<b>BPM60:</b>	19 Kg   1665 mm x 1002 mm x 40 mm   27 pcs pallet   810 pcs truck
<b>MPS60:</b>	20 Kg   1730 mm x 1048 mm x 40 mm   27 pcs pallet   756 pcs truck



### ELECTRICAL CHARACTERISTICS\*

	SDM60 310W	SDM60 315W	BPM60 325W	BPM60 330W	MPS60 345W	MPS60 350W
	ALL BLACK	STANDARD	ALL BLACK	STANDARD	ALL BLACK	STANDARD
<b>Peak power: Pmax (W)</b>	310	315	325	330	345	350
<b>Classification tolerance:</b>	0/+5 W	0/+5 W	0/+5 W	0/+5 W	0/+5 W	0/+5 W
<b>Voltage Pmax: Vmpp (V)</b>	32.30	32.42	32.94	33.24	33.70	33.90
<b>Current Pmax: Impp (A)</b>	9.60	9.73	9.87	9.93	10.24	10.33
<b>Open circuit voltage: Voc (V)</b>	40.37	40.49	40.49	40.72	40.50	40.70
<b>Short-circuit current: Isc (A)</b>	9.98	10.09	10.32	10.48	10.85	10.94
<b>Maximum system voltage: (V)</b>	1500	1500	1500	1500	1500	1500
<b>Module efficiency: (%)</b>	19.05	19.36	19.48	19.78	19.03	19.30
<b>Maximum fuse rating: (A)</b>	15	15	15	15	15	15

\*STC values: 1000W/m<sup>2</sup>, AM 1.5, temperature 25°C. Measurement tolerance +/-3% (AAA Solar simulation - IEC 60.904-9).

### TEMPERATURE CHARACTERISTICS

<b>Temperature Coeff. of Voc:</b>	-0,28 % / °C
<b>Temperature Coeff. of Isc:</b>	+0,04 % / °C
<b>Temperature Coeff. of Pmax:</b>	-0,37 % / °C

### OPERATIVE CHARACTERISTICS

<b>Operating Temperature:</b>	from -40°C to +85°C
<b>Hailstorm Resistance:</b>	Ø 28 mm, 86 Kg/h
<b>NMOT*:</b>	45 ± 2°C

\*Nominal Module Operating Temperature: Irradiance 800W/m<sup>2</sup>, Temperature 20°C, Wind speed 1m/s

### WARRANTIES

**20 YEARS**  
Product Warranty

**25 YEARS**  
Linear Warranty

PREMIUM  
**+5**

### SOLARDAY CERTIFICATES

IEC 61215:2016 | EN 61730-1:2016 | EN 61730-2:2016  
UNI 9177 Class 1 Fire Class | FIRE TEST MST23 CLASSE C  
IEC 62716:2013 | IEC 61701:2011  
ECOEM

UNI EN ISO 9001:2015  
UNI EN ISO 14001:2015  
UNI EN ISO 45001:2018  
CE

VKF  
SUNDAHUS  
BRGB  
MCS

Read the instruction manual for this product before proceeding with the installation. In light of continuous technical development, all information in this brochure may be modified by Solarday without notice.

**Headquarter (IT)**  
Via privata Antonio Meucci 67  
20128 Milano, Italy  
info@solarday.it +39022594171

**Factory**  
Località Merlaro 1, 25070  
Nozza di Vestone (BS), Italy  
info@solarday.it

**Office (ES)**  
Carrer de les Garrigues 17 p.1  
46001 Valencia, España  
contact@solarday.it +34962071775